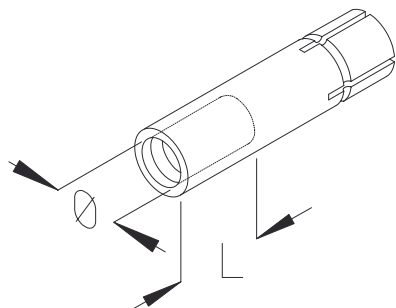


SAZ

Anchor



Permissible as single fastening. Permissible load in cracked and non-cracked normal concrete of strength $\geq C20/25$. Manufacturer's information has to be observed strictly.



Galvanized, according to ISO 4042

| Product | L | L _{min} | D | Ø | Pzul | PzulR30 | PzulR90 | G |
|---------|----------|------------------|-------|-------|--------|---------|---------|----------|
| SAZ 6 | 8-13 mm | 43 mm | 12 mm | 6 mm | 2,4 kN | 1,0 kN | 0,4 kN | 0,032 kg |
| SAZ 8 | 11-17 mm | 43 mm | 10 mm | 8 mm | 1,6 kN | 0,9 kN | 0,7 kN | 0,014 kg |
| SAZ 10 | 13-19 mm | 43 mm | 12 mm | 10 mm | 3,0 kN | 2,3 kN | 1,1 kN | 0,019 kg |
| SAZ 12 | 15-21 mm | 43 mm | 14 mm | 12 mm | 3,6 kN | 2,8 kN | 1,4 kN | 0,026 kg |

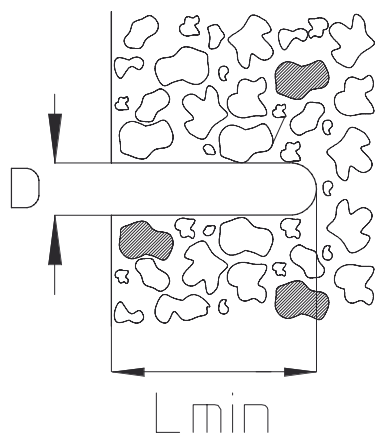
Stainless steel, according to ASTM 316 Ti / AISI 316 L, BS 320S17 / BS 316S11

| Product | L | L _{min} | D | Ø | Pzul | PzulR30 | PzulR90 | G |
|----------|----------|------------------|-------|-------|--------|---------|---------|----------|
| SAZ 8E4 | 11-17 mm | 43 mm | 10 mm | 8 mm | 1,6 kN | 0,9 kN | 0,7 kN | 0,014 kg |
| SAZ 10E4 | 13-19 mm | 43 mm | 12 mm | 10 mm | 3,0 kN | 2,3 kN | 1,1 kN | 0,019 kg |
| SAZ 12E4 | 15-21 mm | 43 mm | 14 mm | 12 mm | 3,6 kN | 2,8 kN | 1,4 kN | 0,026 kg |

- L** : Length
- L_{min}** : Minimum drilling depth
- D** : Diameter
- Ø** : Diameter
- Pzul** : Permissible tractive force
- PzulR30** : Permissible tensile load under the influence of fire (30min)
- PzulR90** : Permissible tensile load under the influence of fire (90min)
- G** : Weight



DETAILS / APPLICATIONS



OPTIONAL ACCESSORIES

SAZ-B, SAZ-D



System E30 - E90. CNBOP-PIB nr CNBOP-PIB-KOT-2017/0013-3703

