

RDR

Cable tray cover with turning bolts

Cable tray cover with turning bolts. Installation of covers in outdoor areas requires additional provisions against storm forces. Turning bolts are in no case sufficient as security provision.



Continuously hot galvanized (Sendzimir process) (DIN EN 10346)

Product	B	L	G
RDR 05S	50 mm	3000 mm	1,41 kg
RDR 10S	100 mm	3000 mm	2,45 kg
RDR 20S	200 mm	3000 mm	4,25 kg
RDR 30S	300 mm	3000 mm	6,05 kg
RDR 40S	400 mm	3000 mm	10,43 kg
RDR 50S	500 mm	3000 mm	12,85 kg
RDR 60S	600 mm	3000 mm	15,23 kg

Hot-dip galvanized, according to BS 729 (DIN EN ISO 1461)

Product	B	L	G
RDR 05F	50 mm	3000 mm	1,58 kg
RDR 10F	100 mm	3000 mm	2,75 kg
RDR 20F	200 mm	3000 mm	4,76 kg
RDR 30F	300 mm	3000 mm	6,78 kg
RDR 40F	400 mm	3000 mm	11,68 kg
RDR 50F	500 mm	3000 mm	14,37 kg
RDR 60F	600 mm	3000 mm	17,06 kg





Stainless steel, according to ASTM 304 / BS 304 S 3

Product	B	L	G
RDR 05E	50 mm	3000 mm	1,41 kg
RDR 10E	100 mm	3000 mm	2,45 kg
RDR 20E	200 mm	3000 mm	4,25 kg
RDR 30E	300 mm	3000 mm	6,05 kg
RDR 40E	400 mm	3000 mm	10,43 kg
RDR 50E	500 mm	3000 mm	12,83 kg
RDR 60E	600 mm	3000 mm	15,23 kg

Stainless steel, material no. 1.4571 (ANSI 316 Ti) / 1.4404 (ANSI 316 L)

Product	B	L	G
RDR 05E4	50 mm	3000 mm	1,41 kg
RDR 10E4	100 mm	3000 mm	2,45 kg
RDR 20E4	200 mm	3000 mm	4,25 kg
RDR 30E4	300 mm	3000 mm	6,05 kg
RDR 40E4	400 mm	3000 mm	10,43 kg
RDR 50E4	500 mm	3000 mm	12,85 kg
RDR 60E4	600 mm	3000 mm	15,23 kg

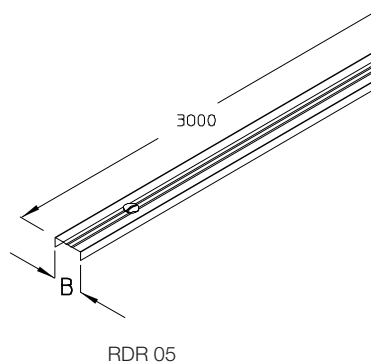
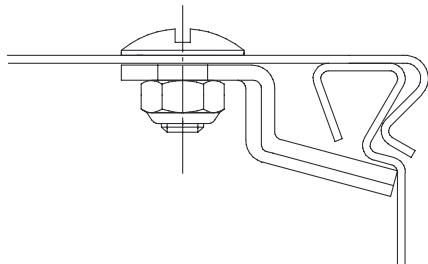
Coating Magnelis[®] according to DIN EN 10346

Product	B	L	G
RDR 05ZM	50 mm	3000 mm	1,41 kg
RDR 10ZM	100 mm	3000 mm	2,45 kg
RDR 20ZM	200 mm	3000 mm	4,25 kg
RDR 30ZM	300 mm	3000 mm	6,05 kg
RDR 40ZM	400 mm	3000 mm	10,43 kg
RDR 50ZM	500 mm	3000 mm	12,85 kg
RDR 60ZM	600 mm	3000 mm	15,23 kg



B : Width
L : Length
G : Weight

DETAILS / APPLICATIONS



System E 90. CNBOP-PIB

