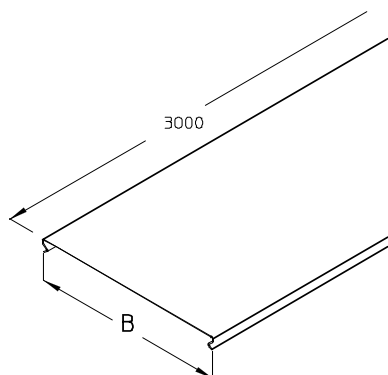


RD

Cable tray cover

Cable tray cover, positive locking.



Continuously hot galvanized (Sendzimir process) (DIN EN 10346)

Product	B	L	G
RD 05S	50 mm	3000 mm	1,35 kg
RD 10S	100 mm	3000 mm	2,34 kg
RD 15S	150 mm	3000 mm	3,24 kg
RD 20S	200 mm	3000 mm	4,14 kg
RD 30S	300 mm	3000 mm	5,94 kg
RD 40S	400 mm	3000 mm	10,32 kg
RD 50S	500 mm	3000 mm	12,72 kg
RD 60S	600 mm	3000 mm	15,12 kg

Hot-dip galvanized, according to BS 729 (DIN EN ISO 1461)

Product	B	L	G
RD 05F	50 mm	3000 mm	1,51 kg
RD 10F	100 mm	3000 mm	2,62 kg
RD 15F	150 mm	3000 mm	3,62 kg
RD 20F	200 mm	3000 mm	4,63 kg
RD 30F	300 mm	3000 mm	6,65 kg
RD 40F	400 mm	3000 mm	11,56 kg
RD 50F	500 mm	3000 mm	14,25 kg
RD 60F	600 mm	3000 mm	16,93 kg





Stainless steel, according to ASTM 304 / BS 304 S 3

Product	B	L	G
RD 05E	50 mm	3000 mm	1,35 kg
RD 10E	100 mm	3000 mm	2,34 kg
RD 15E	150 mm	3000 mm	3,24 kg
RD 20E	200 mm	3000 mm	4,14 kg
RD 30E	300 mm	3000 mm	5,94 kg
RD 40E	400 mm	3000 mm	10,32 kg
RD 50E	500 mm	3000 mm	12,72 kg
RD 60E	600 mm	3000 mm	15,12 kg

Stainless steel, material no. 1.4571 (ANSI 316 Ti) / 1.4404 (ANSI 316 L)

Product	B	L	G
RD 05E4	50 mm	3000 mm	1,35 kg
RD 10E4	100 mm	3000 mm	2,34 kg
RD 15E4	150 mm	3000 mm	3,24 kg
RD 20E4	200 mm	3000 mm	4,14 kg
RD 30E4	300 mm	3000 mm	5,94 kg
RD 40E4	400 mm	3000 mm	10,32 kg
RD 50E4	500 mm	3000 mm	12,72 kg
RD 60E4	600 mm	3000 mm	15,12 kg

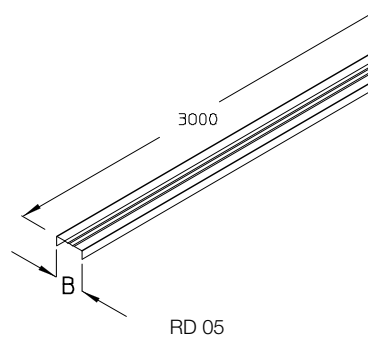
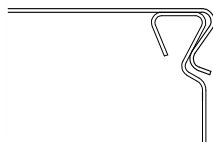
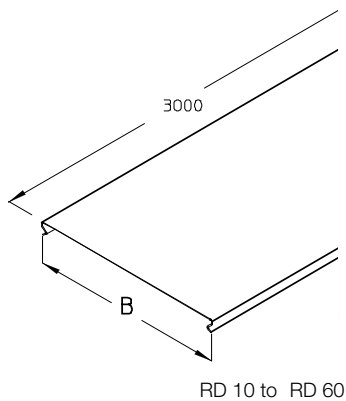
Coating Magnelis[®], according to DIN EN 10346

Product	B	L	G
RD 05ZM	50 mm	3000 mm	1,35 kg
RD 10ZM	100 mm	3000 mm	2,34 kg
RD 15ZM	150 mm	3000 mm	3,24 kg
RD 20ZM	200 mm	3000 mm	4,14 kg
RD 30ZM	300 mm	3000 mm	5,94 kg
RD 40ZM	400 mm	3000 mm	10,32 kg
RD 50ZM	500 mm	3000 mm	12,72 kg
RD 60ZM	600 mm	3000 mm	15,12 kg



B : Width
L : Length
G : Weight

DETAILS / APPLICATIONS



System E 90. CNBOP-PIB

