

RDCR

Cable tray cover with turning bolts

Cable tray cover with turning bolts. Installation of covers in outdoor areas requires additional provisions against storm forces. Turning bolts are in no case sufficient as security provision.

Continuously hot galvanized (Sendzimir process) (DIN EN 10346)

Product	B	L	t	G
RDCR 05S	50 mm	3000 mm	0,55 mm	1,03 kg
RDCR 10S	100 mm	3000 mm	0,55 mm	1,79 kg
RDCR 15S	150 mm	3000 mm	0,55 mm	2,44 kg
RDCR 20S	200 mm	3000 mm	0,55 mm	3,09 kg
RDCR 30S	300 mm	3000 mm	0,55 mm	4,38 kg

Stainless steel, according to ASTM 304 / BS 304 S 3

Product	B	L	t	G
RDCR 05E	50 mm	3000 mm	0,55 mm	1,04 kg
RDCR 10E	100 mm	3000 mm	0,55 mm	1,81 kg
RDCR 15E	150 mm	3000 mm	0,55 mm	2,46 kg
RDCR 20E	200 mm	3000 mm	0,55 mm	3,12 kg
RDCR 30E	300 mm	3000 mm	0,55 mm	4,42 kg

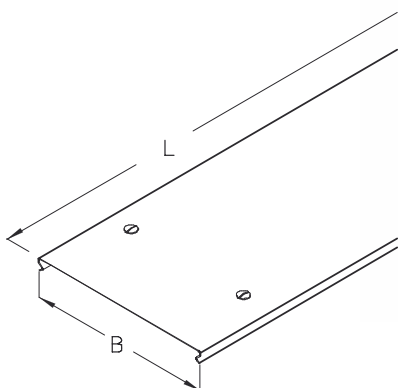


Stainless steel, material no. 1.4571 (ANSI 316 Ti) / 1.4404 (ANSI 316 L)

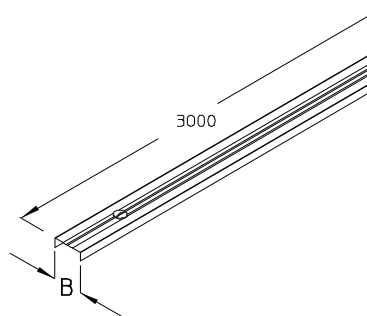
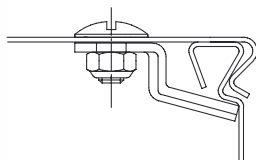
Product	B	L	t	G
RDCR 05E4	50 mm	3000 mm	0,55 mm	1,04 kg
RDCR 10E4	100 mm	3000 mm	0,55 mm	1,81 kg
RDCR 15E4	150 mm	3000 mm	0,55 mm	2,46 kg
RDCR 20E4	200 mm	3000 mm	0,55 mm	3,12 kg
RDCR 30E4	300 mm	3000 mm	0,55 mm	4,42 kg

B : Width
L : Length
t : Material thickness
G : Weight

DETAILS / APPLICATIONS



RDCR 10 to RDCR 30



RDCR 05

