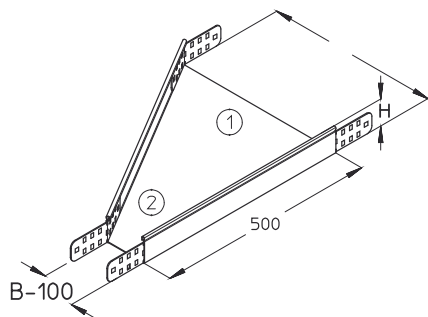


RR 60

Cable tray reducer, height=60 mm

Cable tray reducer with integrated connectors. Please quote the design (left, centred, right) and the side width with your order.

This article is available made in material No. 1.4571/1.4404 (V4A) stainless steel finish.



Continuously hot galvanized (Sendzimir process) (DIN EN 10346)

Product	H	B	L	G
RR 60-10S	60 mm	100 mm	500 mm	1,25 kg
Incl.: 2x KLR		Clamp fastening set		
RR 60-20S	60 mm	200 mm	500 mm	1,55 kg
Incl.: 2x KLR		Clamp fastening set		
RR 60-30S	60 mm	300 mm	500 mm	1,94 kg
Incl.: 2x KLR		Clamp fastening set		
RR 60-40S	60 mm	400 mm	500 mm	2,34 kg
Incl.: 2x KLR		Clamp fastening set		
RR 60-50S	60 mm	500 mm	500 mm	2,73 kg
Incl.: 2x KLR		Clamp fastening set		
RR 60-60S	60 mm	600 mm	500 mm	3,12 kg
Incl.: 2x KLR		Clamp fastening set		





Hot-dip galvanized, according to BS 729 (DIN EN ISO 1461)

Product	H	B	L	G
RR 60-10F	60 mm	100 mm	500 mm	1,38 kg
Incl.: 2x KLR E		Clamp fastening set		
RR 60-20F	60 mm	200 mm	500 mm	1,72 kg
Incl.: 2x KLR E		Clamp fastening set		
RR 60-30F	60 mm	300 mm	500 mm	2,15 kg
Incl.: 2x KLR E		Clamp fastening set		
RR 60-40F	60 mm	400 mm	500 mm	2,59 kg
Incl.: 2x KLR E		Clamp fastening set		
RR 60-50F	60 mm	500 mm	500 mm	3,02 kg
Incl.: 2x KLR E		Clamp fastening set		
RR 60-60F	60 mm	600 mm	500 mm	3,50 kg
Incl.: 2x KLR E		Clamp fastening set		

Stainless steel, according to ASTM 304 / BS 304 S 3

Product	H	B	L	G
RR 60-10E	60 mm	100 mm	500 mm	1,25 kg
Incl.: 2x KLR E		Clamp fastening set		
RR 60-20E	60 mm	200 mm	500 mm	1,55 kg
Incl.: 2x KLR E		Clamp fastening set		
RR 60-30E	60 mm	300 mm	500 mm	1,94 kg
Incl.: 2x KLR E		Clamp fastening set		
RR 60-40E	60 mm	400 mm	500 mm	2,34 kg
Incl.: 2x KLR E		Clamp fastening set		

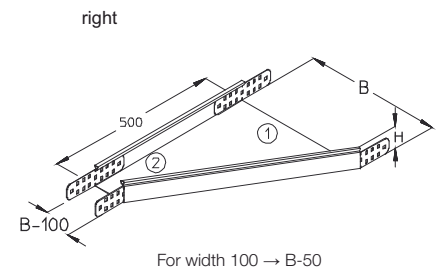
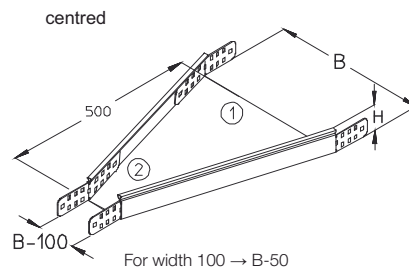
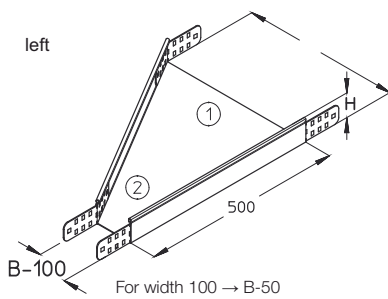


Product	H	B	L	G
RR 60-50E	60 mm	500 mm	500 mm	2,73 kg
Incl.:				
2x KLR E	Clamp fastening set			
RR 60-60E	60 mm	600 mm	500 mm	3,12 kg
Incl.:				
2x KLR E	Clamp fastening set			

H : Height
B : Width
L : Length
G : Weight

© EL-PUK Sp. z o.o. • MP • EN • 2023-04-04

DETAILS / APPLICATIONS



OPTIONAL ACCESSORIES

VB



UL classified

