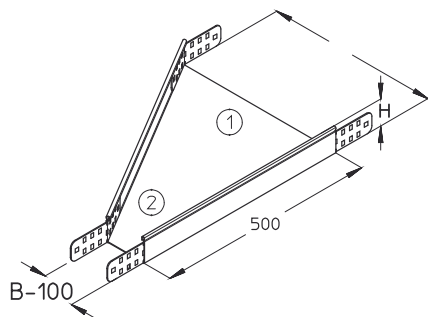


RR 110

Cable tray reducer, height=110 mm

Cable tray reducer with integrated connectors. Please quote the design (left, centred, right) and the side width with your order.

This article is available made in material No. 1.4571/1.4404 (V4A) stainless steel finish.



Continuously hot galvanized (Sendzimir process) (DIN EN 10346)

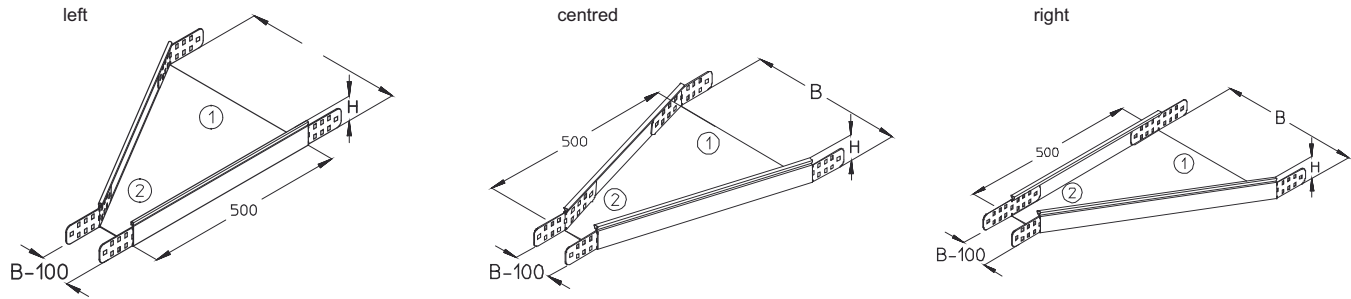
Product	H	B	L	G
RR 110-20S	110 mm	200 mm	500 mm	2,59 kg
Incl.: 4x KLR				
		Clamp fastening set		
RR 110-30S	110 mm	300 mm	500 mm	2,99 kg
Incl.: 4x KLR				
		Clamp fastening set		
RR 110-40S	110 mm	400 mm	500 mm	3,39 kg
Incl.: 4x KLR				
		Clamp fastening set		
RR 110-50S	60 mm	500 mm	500 mm	3,79 kg
Incl.: 4x KLR				
		Clamp fastening set		
RR 110-60S	60 mm	600 mm	500 mm	4,19 kg
Incl.: 4x KLR				
		Clamp fastening set		

Hot-dip galvanized, according to BS 729 (DIN EN ISO 1461)

Product	H	B	L	G
RR 110-20F	110 mm	200 mm	500 mm	2,90 kg
Incl.: 4x KLR E				
		Clamp fastening set		



DETAILS / APPLICATIONS



OPTIONAL ACCESSORIES

VB



UL classified

