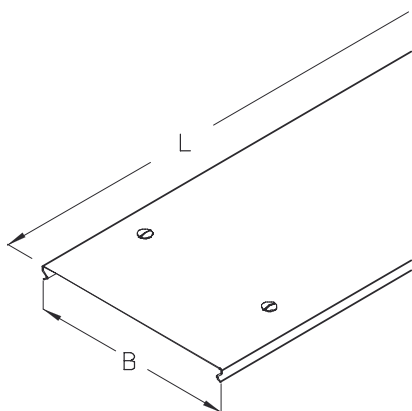


RIDR

Cable installation tray cover with bar lock

Cable installation tray cover, positive locking, with bar lock.



Continuously hot galvanized (Sendzimir process) (DIN EN 10346)

Product	B	L	G
RIDR 05S	50 mm	3000 mm	1,86 kg
RIDR 10S	100 mm	3000 mm	3,23 kg
RIDR 15S	150 mm	3000 mm	4,43 kg
RIDR 20S	200 mm	3000 mm	5,63 kg
RIDR 30S	300 mm	3000 mm	8,03 kg

Hot-dip galvanized, according to BS 729 (DIN EN ISO 1461)

Product	B	L	G
RIDR 05F	50 mm	3000 mm	2,08 kg
RIDR 10F	100 mm	3000 mm	3,62 kg
RIDR 15F	150 mm	3000 mm	4,96 kg
RIDR 20F	200 mm	3000 mm	6,31 kg
RIDR 30F	300 mm	3000 mm	9,00 kg

Stainless steel, according to ASTM 304 / BS 304 S 3

Product	B	L	G
RID 05E	50 mm	3000 mm	1,86 kg





Product	B	L	G
RIDR 10E	100 mm	3000 mm	3,23 kg
RIDR 15E	150 mm	3000 mm	4,43 kg
RIDR 20E	200 mm	3000 mm	5,63 kg
RIDR 30E	300 mm	3000 mm	8,03 kg

B : Width
L : Length
G : Weight

DETAILS / APPLICATIONS

