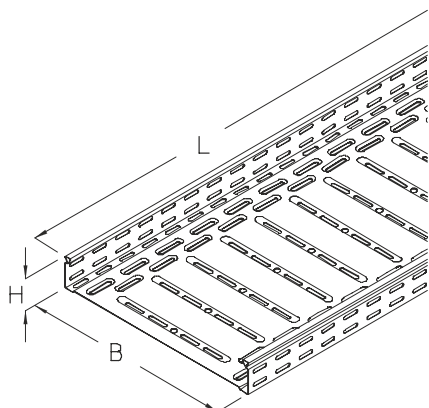


RGO 60

Cable tray perforated, height=60 mm

Cable tray perforated, head shape suitable for positive locking covers, with longitudinal and lateral reinforcing rims reducing bottom deflection, certified including electrical conductivity according to DIN EN 61537.

This article is available made in material No. 1.4571/1.4404 (V4A) stainless steel finish.



Continuously hot galvanized (Sendzimir process) (DIN EN 10346)

Product	H	B	L	A	Q_{sk}	t	G
RGO 60-05S	60 mm	50 mm	3000 mm	30 cm ²	0,04 kN/m	1,00 mm	4,20 kg
RGO 60-10S	60 mm	100 mm	3000 mm	56 cm ²	0,09 kN/m	1,00 mm	5,30 kg
RGO 60-20S	60 mm	200 mm	3000 mm	113 cm ²	0,17 kN/m	1,00 mm	7,60 kg
RGO 60-30S	60 mm	300 mm	3000 mm	171 cm ²	0,26 kN/m	1,00 mm	9,80 kg
RGO 60-40S	60 mm	400 mm	3000 mm	228 cm ²	0,34 kN/m	1,00 mm	12,40 kg

Hot-dip galvanized, according to BS 729 (DIN EN ISO 1461)

Product	H	B	L	A	Q_{sk}	t	G
RGO 60-05F	60 mm	50 mm	3000 mm	30 cm ²	0,04 kN/m	1,00 mm	4,70 kg
RGO 60-10F	60 mm	100 mm	3000 mm	56 cm ²	0,09 kN/m	1,00 mm	6,00 kg
RGO 60-20F	60 mm	200 mm	3000 mm	113 cm ²	0,17 kN/m	1,00 mm	8,50 kg
RGO 60-30F	60 mm	300 mm	3000 mm	171 cm ²	0,26 kN/m	1,00 mm	10,90 kg
RGO 60-40F	60 mm	400 mm	3000 mm	228 cm ²	0,34 kN/m	1,00 mm	13,90 kg

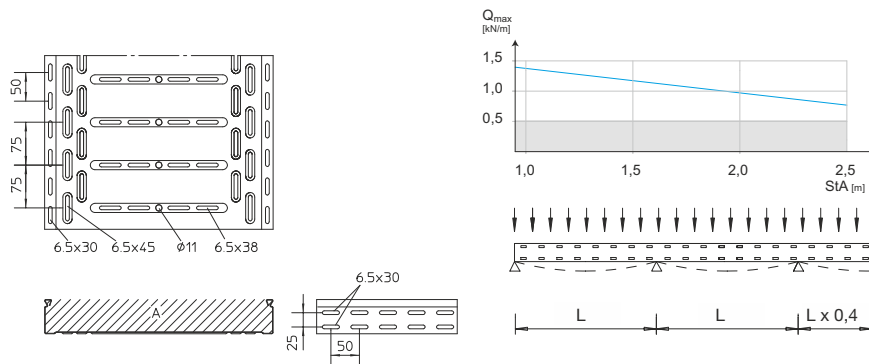


Stainless steel, according to ASTM 31 Ti / AISI 316 L, BS 320S17 / BS 316S11

Product	H	B	L	A	Q_{sk}	t	G
RGO 60-05E	60 mm	50 mm	3000 mm	30 cm ²	0,04 kN/m	1,00 mm	4,20 kg
RGO 60-10E	60 mm	100 mm	3000 mm	56 cm ²	0,09 kN/m	1,00 mm	5,30 kg
RGO 60-20E	60 mm	200 mm	3000 mm	113 cm ²	0,17 kN/m	1,00 mm	7,60 kg
RGO 60-30E	60 mm	300 mm	3000 mm	171 cm ²	0,26 kN/m	1,00 mm	9,80 kg
RGO 60-40E	60 mm	400 mm	3000 mm	228 cm ²	0,34 kN/m	1,00 mm	12,40 kg

- H** : Height
- B** : Width
- L** : Length
- t** : Material thickness
- A** : Cross section area
- Q_{sk}** : Distributed load control cable
- G** : Weight

DETAILS / APPLICATIONS



OPTIONAL ACCESSORIES

RB 60, RB45 60, RAE 60, RAA 60, RA 60, RK 60, RVB 60, RR 60, RAB 60, REB, RGV 60, RGVS, VB, RTR 60, KLR





Do not walk upon!



System E 90. CNBOP-PIB nr CNBOP-PIB-KOT-2017/0013-3703.

