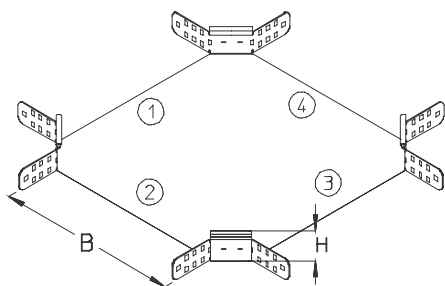


RK-BS 60

Cable tray crossover, height=60 mm

Cable tray crossover for horizontal change of direction with integrated connectors.

This article is available made in material No. 1.4571/1.4404 (V4A) stainless steel finish.



Continuously hot galvanized (Sendzimir process) (DIN EN 10346)

Product	H	B	G
RK-BS 60-05S	60 mm	50 mm	1,31 kg
Incl.: 8x KLR		Clamp fastening set	
RK-BS 60-10S	60 mm	100 mm	1,46 kg
Incl.: 8x KLR		Clamp fastening set	
RK-BS 60-15S	60 mm	150 mm	1,67 kg
Incl.: 8x KLR		Clamp fastening set	
RK-BS 60-20S	60 mm	200 mm	1,88 kg
Incl.: 8x KLR		Clamp fastening set	
RK-BS 60-30S	60 mm	300 mm	2,46 kg
Incl.: 8x KLR		Clamp fastening set	
RK-BS 60-40S	60 mm	400 mm	3,20 kg
Incl.: 8x KLR		Clamp fastening set	
RK-BS 60-50S	60 mm	500 mm	4,10 kg
Incl.: 8x KLR		Clamp fastening set	
RK-BS 60-60S	60 mm	600 mm	5,18 kg
Incl.: 8x KLR		Clamp fastening set	





Hot-dip galvanized, according to BS 729 (DIN EN ISO 1461)

Product	H	B	G
RK-BS 60-05F	60 mm	50 mm	1,39 kg
Incl.:			
8x KLR E		Clamp fastening set	
RK-BS 60-10F	60 mm	100 mm	1,56 kg
Incl.:			
8x KLR E		Clamp fastening set	
RK-BS 60-15F	60 mm	150 mm	1,79 kg
Incl.:			
8x KLR E		Clamp fastening set	
RK-BS 60-20F	60 mm	200 mm	2,03 kg
Incl.:			
8x KLR E		Clamp fastening set	
RK-BS 60-30F	60 mm	300 mm	2,69 kg
Incl.:			
8x KLR E		Clamp fastening set	
RK-BS 60-40F	60 mm	400 mm	3,52 kg
Incl.:			
8x KLR E		Clamp fastening set	
RK-BS 60-50F	60 mm	500 mm	4,53 kg
Incl.:			
8x KLR E		Clamp fastening set	
RK-BS 60-60F	60 mm	600 mm	5,72 kg
Incl.:			
8x KLR E		Clamp fastening set	

Stainless steel, according to ASTM 304 / BS 304 S 3

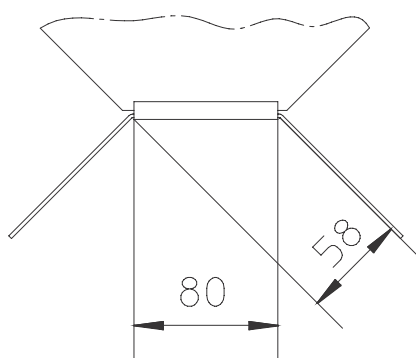
Product	H	B	G
RK-BS 60-05E	60 mm	50 mm	1,31 kg
Incl.:			
8x KLR E		Clamp fastening set	
RK-BS 60-10E	60 mm	100 mm	1,46 kg
Incl.:			
8x KLR E		Clamp fastening set	



Product	H	B	G
RK-BS 60-15E	60 mm	150 mm	1,67 kg
Incl.: 8x KLR E		Clamp fastening set	
RK-BS 60-20E	60 mm	200 mm	1,88 kg
Incl.: 8x KLR E		Clamp fastening set	
RK-BS 60-30E	60 mm	300 mm	2,46 kg
Incl.: 8x KLR E		Clamp fastening set	
RK-BS 60-40E	60 mm	400 mm	3,20 kg
Incl.: 8x KLR E		Clamp fastening set	
RK-BS 60-50E	60 mm	500 mm	4,10 kg
Incl.: 8x KLR E		Clamp fastening set	
RK-BS 60-60E	60 mm	600 mm	5,18 kg
Incl.: 8x KLR E		Clamp fastening set	

H : Height
B : Width
G : Weight

DETAILS / APPLICATIONS





OPTIONAL ACCESSORIES

VB-BS



System E 90. CNBOP-PIB nr CNBOP-PIB-KOT-2017/0013-3703

