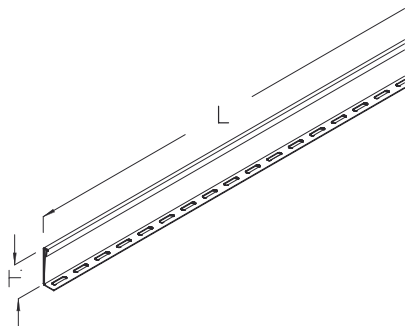


RITR 60

Cable installation tray separating strip, height = 58 mm

Cable tray separating strip including fastening bolts.



Continuously hot galvanized (Sendzimir process) (DIN EN 10346)

Product	H	L	G
RITR 60S	50 mm	3000 mm	2,24 kg
Incl.:			
1,5x KLR		Clamp fastening set	

H : Height

L : Length

G : Weight

DETAILS / APPLICATIONS

