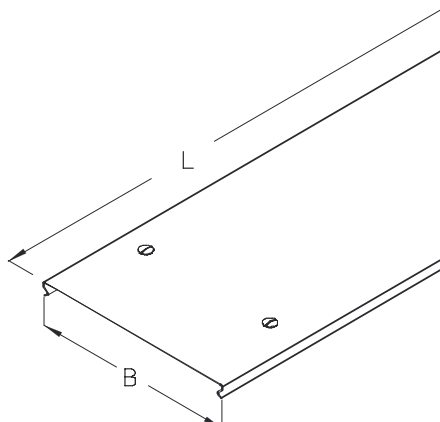


RDSR

Cable tray cover with turning bolts, heavy

Cable tray cover, heavy, positive locking with turning bolts.

This article is available made in material No. 1.4571/1.4404 (V4A) stainless steel finish.



Continuously hot galvanized (Sendzimir process) (DIN EN 10346)

Product	B	L	t	G
RDSR 05S	100 mm	3000 mm	1,50 mm	2,70 kg
RDSR 10S	100 mm	3000 mm	1,50 mm	4,70 kg
RDSR 20S	200 mm	3000 mm	1,50 mm	8,23 kg
RDSR 30S	300 mm	3000 mm	1,50 mm	11,77 kg
RDSR 40S	400 mm	3000 mm	1,50 mm	15,30 kg
RDSR 50S	500 mm	3000 mm	1,50 mm	18,83 kg
RDSR 60S	600 mm	3000 mm	1,50 mm	22,36 kg

Hot-dip galvanized, according to BS 729 (DIN EN ISO 1461)

Product	B	L	t	G
RDSR 05F	100 mm	3000 mm	1,50 mm	2,90 kg
RDSR 10F	100 mm	3000 mm	1,50 mm	5,04 kg
RDSR 20F	200 mm	3000 mm	1,50 mm	8,83 kg
RDSR 30F	300 mm	3000 mm	1,50 mm	12,62 kg
RDSR 40F	400 mm	3000 mm	1,50 mm	16,41 kg
RDSR 50F	500 mm	3000 mm	1,50 mm	20,21 kg
RDSR 60F	600 mm	3000 mm	1,50 mm	24,00 kg

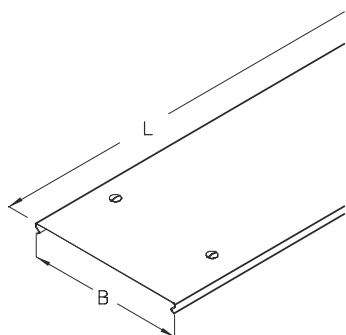


Stainless steel, according to ASTM 304 / BS 304 S 3

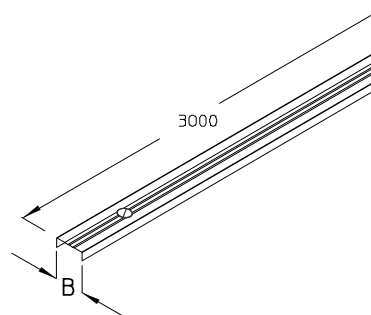
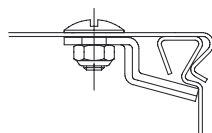
Product	B	L	t	G
RDSR 05E	100 mm	3000 mm	1,50 mm	2,70 kg
RDSR 10E	100 mm	3000 mm	1,50 mm	4,70 kg
RDSR 20E	200 mm	3000 mm	1,50 mm	8,23 kg
RDSR 30E	300 mm	3000 mm	1,50 mm	11,77 kg
RDSR 40E	400 mm	3000 mm	1,50 mm	15,30 kg
RDSR 50E	500 mm	3000 mm	1,50 mm	18,83 kg
RDSR 60E	600 mm	3000 mm	1,50 mm	22,36 kg

B : Width
L : Length
t : Material thickness
G : Weight

DETAILS / APPLICATIONS



RDSR 10 - RDSR 60



RDSR 05



System E 90. CNBOP-PIB

