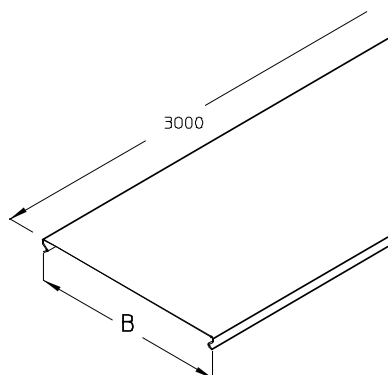


RDS

Cable tray cover, heavy

Heavy cable tray cover, positive locking.

This article is available made in material No. 1.4571/1.4404 (V4A) stainless steel finish.



Continuously hot galvanized (Sendzimir process) (DIN EN 10346)

Product	B	L	t	G
RDS 05S	50 mm	3000 mm	1,50 mm	2,65 kg
RDS 10S	100 mm	3000 mm	1,50 mm	4,59 kg
RDS 20S	200 mm	3000 mm	1,50 mm	8,12 kg
RDS 30S	300 mm	3000 mm	1,50 mm	11,66 kg
RDS 40S	400 mm	3000 mm	1,50 mm	15,19 kg
RDS 50S	500 mm	3000 mm	1,50 mm	18,72 kg
RDS 60S	600 mm	3000 mm	1,50 mm	22,25 kg

Hot-dip galvanized, according to BS 729 (DIN EN ISO 1461)

Product	B	L	t	G
RDS 05F	50 mm	3000 mm	1,50 mm	2,84 kg
RDS 10F	100 mm	3000 mm	1,50 mm	4,93 kg
RDS 20F	200 mm	3000 mm	1,50 mm	8,72 kg
RDS 30F	300 mm	3000 mm	1,50 mm	12,51 kg
RDS 40F	400 mm	3000 mm	1,50 mm	16,30 kg
RDS 50F	500 mm	3000 mm	1,50 mm	20,10 kg
RDS 60F	600 mm	3000 mm	1,50 mm	23,89 kg

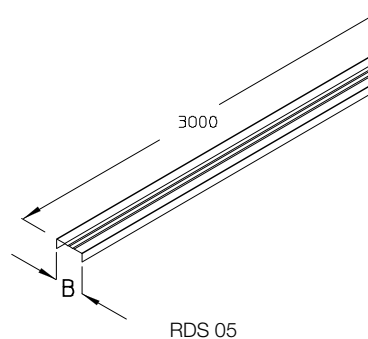
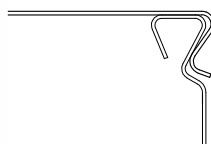
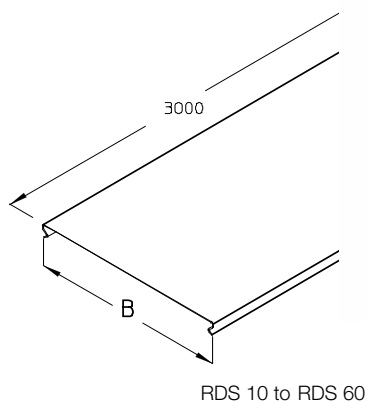


Stainless steel, according to ASTM 304 / BS 304 S 3

Product	B	L	t	G
RDS 05E	50 mm	3000 mm	1,50 mm	2,65 kg
RDS 10E	100 mm	3000 mm	1,50 mm	4,59 kg
RDS 20E	200 mm	3000 mm	1,50 mm	8,12 kg
RDS 30E	300 mm	3000 mm	1,50 mm	11,66 kg
RDS 40E	400 mm	3000 mm	1,50 mm	15,19 kg
RDS 50E	500 mm	3000 mm	1,50 mm	18,72 kg
RDS 60E	600 mm	3000 mm	1,50 mm	22,25 kg

B : Width
L : Length
t : Material thickness
G : Weight

DETAILS / APPLICATIONS



System E 90. CNBOP-PIB

