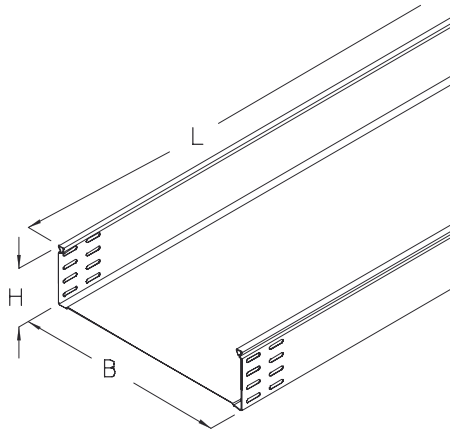


RS 110

Cable tray, heavy, not perforated, height=110 mm



Cable tray, heavy, not perforated, head shape suitable for positive locking covers, with longitudinal and lateral reinforcing rims reducing bottom deflection, certified including electrical conductivity according to DIN EN 61537. Side and bottom connectors are provided for assembly.

This article is available made in material No. 1.4571/1.4404 (V4A) stainless steel finish.



Continuously hot galvanized (Sendzimir process) (DIN EN 10346)

| Product | H | B | L | A | Q_{SK} | t | G |
|------------|--------|--------|---------|---------------------|-----------|---------|----------|
| RS 110-10S | 110 mm | 100 mm | 3000 mm | 106 cm ² | 0,16 kN/m | 1,50 mm | 12,60 kg |
| RS 110-20S | 110 mm | 200 mm | 3000 mm | 213 cm ² | 0,32 kN/m | 1,50 mm | 16,00 kg |
| RS 110-30S | 110 mm | 300 mm | 3000 mm | 321 cm ² | 0,48 kN/m | 1,50 mm | 19,60 kg |
| RS 110-40S | 110 mm | 400 mm | 3000 mm | 428 cm ² | 0,64 kN/m | 1,50 mm | 23,10 kg |
| RS 110-50S | 110 mm | 500 mm | 3000 mm | 536 cm ² | 0,81 kN/m | 1,50 mm | 26,60 kg |
| RS 110-60S | 110 mm | 600 mm | 3000 mm | 643 cm ² | 0,97 kN/m | 1,50 mm | 30,20 kg |

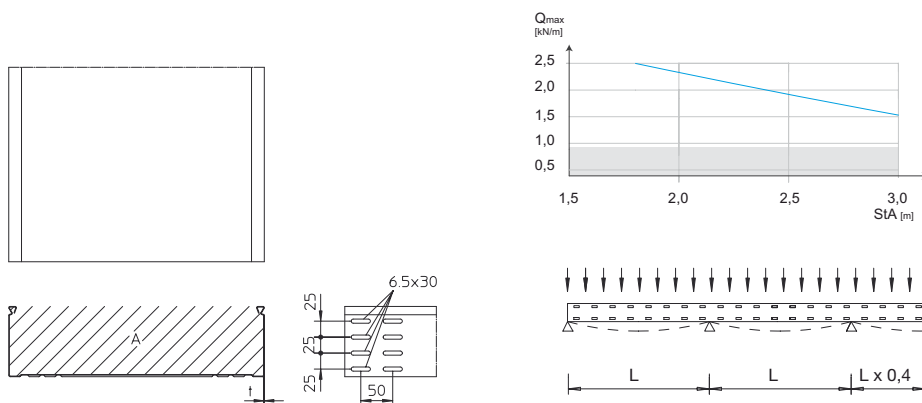
Hot-dip galvanized, according to BS 729 (DIN EN ISO 1461)

| Product | H | B | L | A | Q_{SK} | t | G |
|------------|--------|--------|---------|---------------------|-----------|---------|----------|
| RS 110-10F | 110 mm | 100 mm | 3000 mm | 106 cm ² | 0,16 kN/m | 1,50 mm | 13,30 kg |
| RS 110-20F | 110 mm | 200 mm | 3000 mm | 213 cm ² | 0,32 kN/m | 1,50 mm | 17,00 kg |
| RS 110-30F | 110 mm | 300 mm | 3000 mm | 321 cm ² | 0,48 kN/m | 1,50 mm | 20,80 kg |
| RS 110-40F | 110 mm | 400 mm | 3000 mm | 428 cm ² | 0,64 kN/m | 1,50 mm | 24,50 kg |
| RS 110-50F | 110 mm | 500 mm | 3000 mm | 536 cm ² | 0,81 kN/m | 1,50 mm | 28,20 kg |
| RS 110-60F | 110 mm | 600 mm | 3000 mm | 643 cm ² | 0,97 kN/m | 1,50 mm | 32,00 kg |



- H** : Height
- B** : Width
- L** : Length
- t** : Material thickness
- A** : Cross section area
- Q_{sk}** : Distributed load control cable
- G** : Weight

DETAILS / APPLICATIONS



OPTIONAL ACCESSORIES

RB 110, RB45 110, RAE 110, RAA 110, RA 110, RK 110, RVB 110, RR 110, RAB 110, REB, RGV 110, VB, RTR 110, KLR



Do not walk upon!

