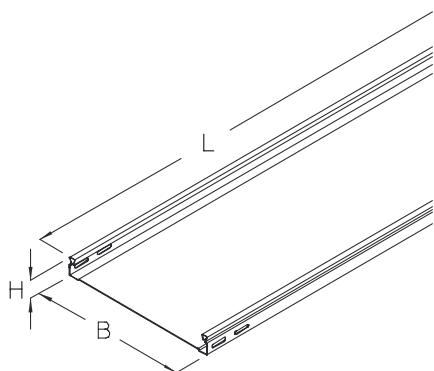


## RS 42

Cable tray, heavy, not perforated, height=42 mm



Cable tray, heavy, not perforated, head shape suitable for positive locking covers, with longitudinal and lateral reinforcing rims reducing bottom deflection, certified including electrical conductivity according to DIN EN 61537. Side and bottom connectors are provided for assembly.

This article is available made in material No. 1.4571/1.4404 (V4A) stainless steel finish.



### Continuously hot galvanized (Sendzimir process) (DIN EN 10346)

Product	H	B	L	A	$Q_{sk}$	t	G
RS 42-05S	42 mm	50 mm	3000 mm	19 cm <sup>2</sup>	0,03 kN/m	1,50 mm	5,50 kg
RS 42-10S	42 mm	100 mm	3000 mm	39 cm <sup>2</sup>	0,07 kN/m	1,50 mm	7,30 kg
RS 42-20S	42 mm	200 mm	3000 mm	80 cm <sup>2</sup>	0,14 kN/m	1,50 mm	10,90 kg
RS 42-30S	42 mm	300 mm	3000 mm	120 cm <sup>2</sup>	0,21 kN/m	1,50 mm	14,50 kg

### Hot-dip galvanized, according to BS 729 (DIN EN ISO 1461)

Product	H	B	L	A	$Q_{sk}$	t	G
RS 42-05F	42 mm	50 mm	3000 mm	19 cm <sup>2</sup>	0,03 kN/m	1,50 mm	6,10 kg
RS 42-10F	42 mm	100 mm	3000 mm	39 cm <sup>2</sup>	0,07 kN/m	1,50 mm	8,20 kg
RS 42-20F	42 mm	200 mm	3000 mm	80 cm <sup>2</sup>	0,14 kN/m	1,50 mm	12,20 kg
RS 42-30F	42 mm	300 mm	3000 mm	120 cm <sup>2</sup>	0,21 kN/m	1,50 mm	16,20 kg

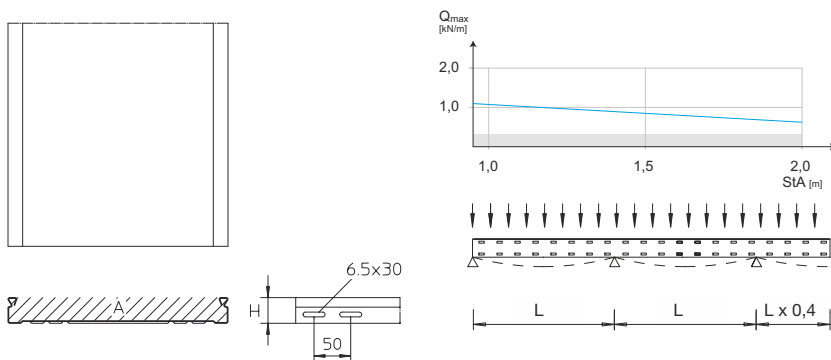
### Stainless steel, according to ASTM 304 / BS 304 S 3

Product	H	B	L	A	$Q_{sk}$	t	G
RS 42-05E	42 mm	50 mm	3000 mm	19 cm <sup>2</sup>	0,03 kN/m	1,50 mm	5,50 kg
RS 42-10E	42 mm	100 mm	3000 mm	39 cm <sup>2</sup>	0,07 kN/m	1,50 mm	7,30 kg
RS 42-20E	42 mm	200 mm	3000 mm	80 cm <sup>2</sup>	0,14 kN/m	1,50 mm	10,90 kg
RS 42-30E	42 mm	300 mm	3000 mm	120 cm <sup>2</sup>	0,21 kN/m	1,50 mm	14,50 kg



- H** : Height
- B** : Width
- L** : Length
- t** : Material thickness
- A** : Cross section area
- Q<sub>sk</sub>** : Distributed load control cable
- G** : Weight

## DETAILS / APPLICATIONS



## OPTIONAL ACCESSORIES

RB 42, RB45 42, RAE 42, RAA 42, RA 42, RK 42, RVB 42, RR 42, RAB 42, REB, RGV 42, RGVS, VB, RTR 42, KLR



Do not walk upon!



System E 90. CNBOP-PIB

