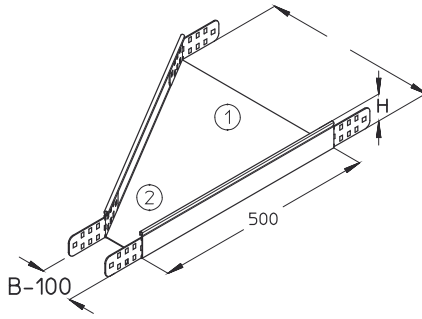


## RR 35

Cable tray reducer, height=35 mm

Cable tray reducer with integrated connectors. Please quote the design (left, centred, right) and the side width with your order.

This article is available made in material No. 1.4571/1.4404 (V4A) stainless steel finish.



**Continuously hot galvanized (Sendzimir process) (DIN EN 10346)**

Product	H	B	L	G
RR 35-10S	35 mm	100 mm	500 mm	1,10 kg
-----				
Incl.:				
2x KLR		Clamp fastening set		
RR 35-20S	35 mm	200 mm	500 mm	1,40 kg
-----				
Incl.:				
2x KLR		Clamp fastening set		
RR 35-30S	35 mm	300 mm	500 mm	1,80 kg
-----				
Incl.:				
2x KLR		Clamp fastening set		

**Hot-dip galvanized, according to BS 729 (DIN EN ISO 1461)**

Product	H	B	L	G
RR 35-10F	35 mm	100 mm	500 mm	1,23 kg
-----				
Incl.:				
2x KLR E		Clamp fastening set		
RR 35-20F	35 mm	200 mm	500 mm	1,57 kg
-----				
Incl.:				
2x KLR E		Clamp fastening set		
RR 35-30F	35 mm	300 mm	500 mm	2,02 kg
-----				
Incl.:				
2x KLR E		Clamp fastening set		

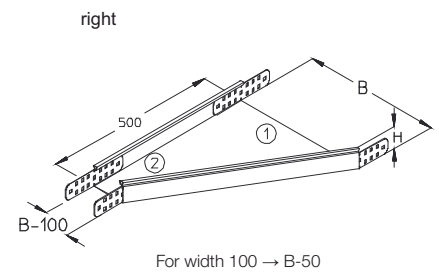
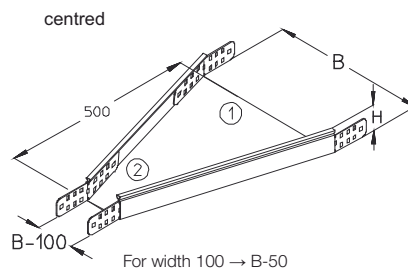
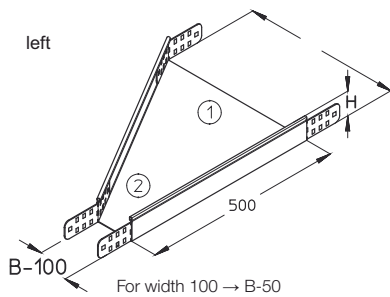


Stainless steel, according to ASTM 304 / BS 304 S 3

Product	H	B	L	G
RR 35-10E	35 mm	100 mm	500 mm	1,10 kg
-----				
Incl.:				
2x KLR	Clamp fastening set			
RR 35-20E	35 mm	200 mm	500 mm	1,40 kg
-----				
Incl.:				
2x KLR	Clamp fastening set			
RR 35-30E	35 mm	300 mm	500 mm	1,80 kg
-----				
Incl.:				
2x KLR	Clamp fastening set			

**H** : Height  
**B** : Width  
**L** : Length  
**G** : Weight

## DETAILS / APPLICATIONS



## OPTIONAL ACCESSORIES

VB



UL classified

PUK Group GmbH & Co. KG  
 Nobelstraße 45-55 | 12057 Berlin  
 Telefon: +49 30 68283-01 | Fax: +49 30 68283-266 | info@puk.com | www.puk.com

EL-PUK Sp. z o.o.  
 ul. Kościelna 15 | 95-050 Konstancin Łódzki  
 Telefon: +48 42 211 88 01 | Fax: +48 42 211 88 04 | marketing@elpuk.com.pl | www.elpuk.com.pl

Date of issuance: 2021-06-11. Errors and technical modifications reserved.

