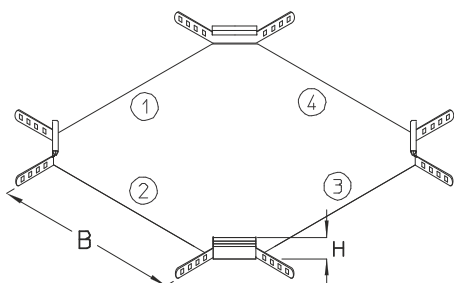


RK 42

Cable tray crossover, height=42 mm

Cable tray crossover for horizontal change of direction with integrated connectors.

This article is available made in material No. 1.4571/1.4404 (V4A) stainless steel finish.



Continuously hot galvanized (Sendzimir process) (DIN EN 10346)

Product	H	B	G
RK 42-05S	42 mm	50 mm	0,87 kg
Incl.: 4x KLR		Clamp fastening set	
RK 42-10S	42 mm	100 mm	1,02 kg
Incl.: 4x KLR		Clamp fastening set	
RK 42-20S	42 mm	200 mm	1,44 kg
Incl.: 4x KLR		Clamp fastening set	
RK 42-30S	42 mm	300 mm	2,03 kg
Incl.: 4x KLR		Clamp fastening set	

Hot-dip galvanized, according to BS 729 (DIN EN ISO 1461)

Product	H	B	G
RK 42-05F	42 mm	50 mm	0,98 kg
Incl.: 4x KLR E		Clamp fastening set	
RK 42-10F	42 mm	100 mm	1,15 kg
Incl.: 4x KLR E		Clamp fastening set	



RK 42-20F	42 mm	200 mm	1,62 kg

Incl.:			
4x KLR E		Clamp fastening set	
RK 42-30F	42 mm	300 mm	2,27 kg

Incl.:			
4x KLR E		Clamp fastening set	

Stainless steel, according to ASTM 304 / BS 304 S 3

Product	H	B	G
RK 42-05E	42 mm	50 mm	0,87 kg

Incl.:			
4x KLR E		Clamp fastening set	
RK 42-10E	42 mm	100 mm	1,02 kg

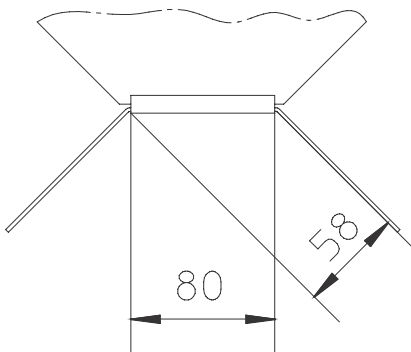
Incl.:			
4x KLR E		Clamp fastening set	
RK 42-20E	42 mm	200 mm	1,44 kg

Incl.:			
4x KLR E		Clamp fastening set	
RK 42-30E	42 mm	300 mm	2,03 kg

Incl.:			
4x KLR E		Clamp fastening set	

H : Height
B : Width
G : Weight

DETAILS / APPLICATIONS





OPTIONAL ACCESSORIES

VB



Certyfikat UL

