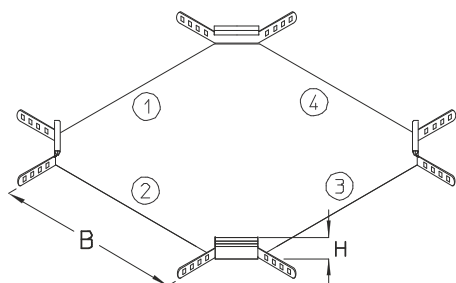


RK 35

Cable tray crossover, height=35 mm

Cable tray crossover for horizontal change of direction with integrated connectors.



Continuously hot galvanized (Sendzimir process) (DIN EN 10346)

Product	H	B	G
RK 35-05S	35 mm	50 mm	0,72 kg
Incl.: 4x KLR		Clamp fastening set	
RK 35-10S	35 mm	100 mm	0,87 kg
Incl.: 4x KLR		Clamp fastening set	
RK 35-20S	35 mm	200 mm	1,29 kg
Incl.: 4x KLR		Clamp fastening set	
RK 35-30S	35 mm	300 mm	1,87 kg
Incl.: 4x KLR		Clamp fastening set	

Hot-dip galvanized, according to BS 729 (DIN EN ISO 1461)

Product	H	B	G
RK 35-05F	35 mm	50 mm	0,80 kg
Incl.: 4x KLR E		Clamp fastening set	
RK 35-10F	35 mm	100 mm	0,87 kg
Incl.: 4x KLR E		Clamp fastening set	



RK 35-20F	35 mm	200 mm	1,44 kg

Incl.:			
4x KLR E		Clamp fastening set	
RK 35-30F	35 mm	300 mm	2,10kg

Incl.:			
4x KLR E		Clamp fastening set	

Stainless steel, according to ASTM 304 / BS 304 S 3

Product	H	B	G
RK 35-05E	35 mm	50 mm	0,72 kg

Incl.:			
4x KLR E		Clamp fastening set	
RK 35-10E	35 mm	100 mm	0,87 kg

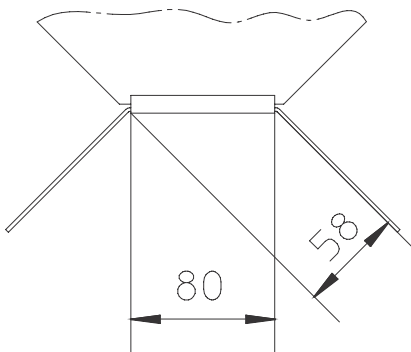
Incl.:			
4x KLR E		Clamp fastening set	
RK 35-20E	35 mm	200 mm	1,29 kg

Incl.:			
4x KLR E		Clamp fastening set	
RK 35-30E	35 mm	300 mm	1,87 kg

Incl.:			
4x KLR E		Clamp fastening set	

H : Height
B : Width
G : Weight

DETAILS / APPLICATIONS





OPTIONAL ACCESSORIES

VB



Certyfikat UL

