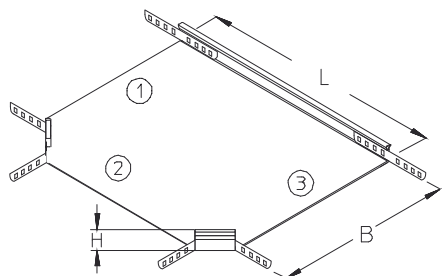


RA 35

Cable tray branch-piece, height=35 mm

Cable tray branch in T-shape, integrated connectors.

This article is available made in material No. 1.4571/1.4404 (V4A) stainless steel finish.



Continuously hot galvanized (Sendzimir process) (DIN EN 10346)

Product	H	B	L	G
RA 35-05S	35 mm	50 mm	164 mm	0,50 kg

Incl.:				
3x KLR		Clamp fastening set		
RA 35-10S	35 mm	100 mm	214 mm	0,65 kg

Incl.:				
3x KLR		Clamp fastening set		
RA 35-20S	35 mm	200 mm	314 mm	1,05 kg

Incl.:				
3x KLR		Clamp fastening set		
RA 35-30S	35 mm	300 mm	414 mm	1,62 kg

Incl.:				
3x KLR		Clamp fastening set		

Hot-dip galvanized, according to BS 729 (DIN EN ISO 1461)

Product	H	B	L	G
RA 35-05F	35 mm	50 mm	164 mm	0,56 kg

Incl.:				
3x KLR E				
RA 35-10F	35 mm	100 mm	214 mm	0,73 kg

Incl.:				
3x KLR E				



RA 35-20F	35 mm	200 mm	314 mm	1,18 kg

Incl.:				
3x KLR E	Clamp fastening set			
RA 35-30F	35 mm	300 mm	414 mm	1,81 kg

Incl.:				
3x KLR E	Clamp fastening set			

Stainless steel, according to ASTM 304 / BS 304 S 3

Product	H	B	L	G
RA 35-05E	35 mm	50 mm	164 mm	0,50 kg

Incl.:				
3x KLR E	Clamp fastening set			
RA 35-10E	35 mm	100 mm	214 mm	0,65 kg

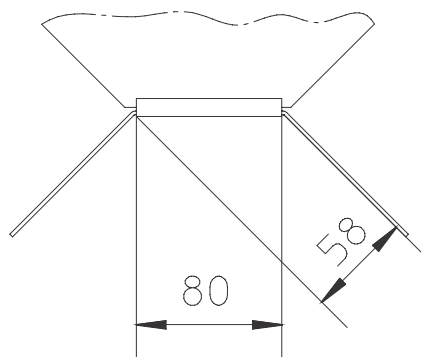
Incl.:				
3x KLR E	Clamp fastening set			
RA 35-20E	35 mm	200 mm	314 mm	1,05 kg

Incl.:				
3x KLR E	Clamp fastening set			
RA 35-30E	35 mm	300 mm	414 mm	1,62 kg

Incl.:				
3x KLR E	Clamp fastening set			

H : Height
B : Width
L : Length
G : Weight

DETAILS / APPLICATIONS





OPTIONAL ACCESSORIES

VB



Certyfikat UL

