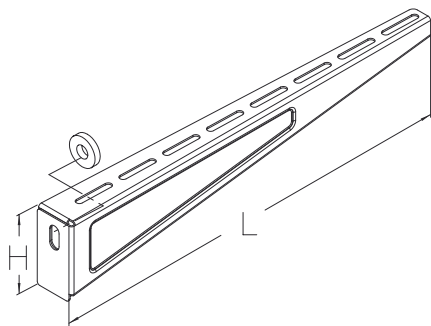


KWF

Bracket, light duty

Wall/handle bracket, light-duty version made of folded sheet steel. Certified according to DIN EN 61537. For mounting on walls or hanging struts.

F_D/P : coefficient for calculation of the dowel load F_D with effective bracket load P respectively the sum of effective bracket loads.



Continuously hot galvanized (Sendzimir process) (DIN EN 10346)

Product	H	B	L	P_{max}	F_D/P	G
KWF 005S	57 mm	50 mm	70 mm	1,00 kN	-	0,08 kg
KWF 010S	80 mm	100 mm	120 mm	1,20 kN	1,58	0,21 kg

Incl.:	1x US 10X30		Square washer, DIN 9021			
KWF 020S	80 mm	200 mm	220 mm	1,20 kN	2,33	0,29 kg

Incl.:	1x US 10X30		Square washer, DIN 9021			
KWF 030S	80 mm	300 mm	320 mm	1,20 kN	3,15	0,43 kg

Incl.:	1x US 10X30		Square washer, DIN 9021			
KWF 040S	80 mm	400 mm	420 mm	1,20 kN	3,99	0,50 kg

Incl.:	1x US 10X30		Square washer, DIN 9021			

Hot-dip galvanized, according to BS 729 (DIN EN ISO 1461)

Product	H	B	L	P_{max}	F_D/P	G
KWF 005F	57 mm	50 mm	700 mm	1,00 kN	-	0,10 kg
KWF 010F	80 mm	100 mm	120 mm	1,20 kN	1,58	0,24 kg

Incl.:	1x US 10X30F		Square washer, DIN 9021			





Product	H	B	L	P_{max}	F_D/P	G
KWF 020F	80 mm	200 mm	220 mm	1,20 kN	2,33	0,32 kg
Incl.: 1x US 10X30F Square washer, DIN 9021						
KWF 030F	80 mm	300 mm	320 mm	1,20 kN	3,15	0,47 kg
Incl.: 1x US 10X30F Square washer, DIN 9021						
KWF 040F	80 mm	400 mm	420 mm	1,20 kN	3,99	0,54 kg
Incl.: 1x US 10X30F Square washer, DIN 9021						

Stainless steel, according to ASTM 304 / BS 304 S 3

Product	H	B	L	P_{max}	F_D/P	G
KWF 005E	57 mm	50 mm	70 mm	1,00 kN	-	0,08 kg

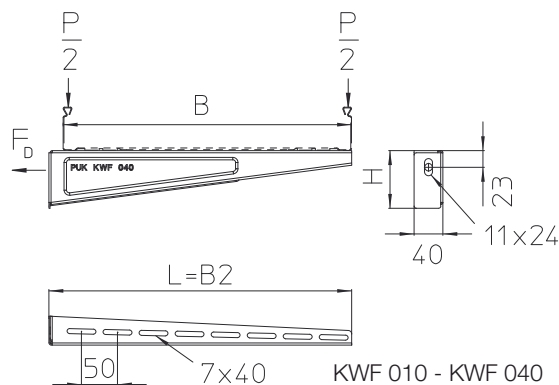
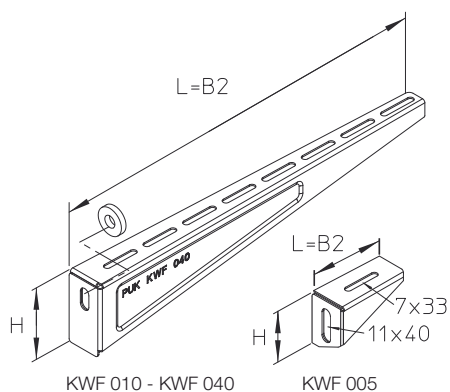
Coating Magnelis[®], EN 10346

Product	H	B	L	P_{max}	F_D/P	G
KWF 005ZM	57 mm	50 mm	70 mm	1,00 kN	-	0,08 kg
KWF 010ZM	80 mm	100 mm	120 mm	1,20 kN	1,58	0,21 kg
Incl.: 1x US 10X30 Square washer, DIN 9021						
KWF 020ZM	80 mm	200 mm	220 mm	1,20 kN	2,33	0,29 kg
Incl.: 1x US 10X30 Square washer, DIN 9021						
KWF 030ZM	80 mm	300 mm	320 mm	1,20 kN	3,15	0,43 kg
Incl.: 1x US 10X30 Square washer, DIN 9021						
KWF 040ZM	80 mm	400 mm	420 mm	1,20 kN	3,99	0,50 kg
Incl.: 1x US 10X30 Square washer, DIN 9021						



H : Height
B : Width
L : Length
P_{max} : Maximum permissible load
F_d/P : Dowel-to-anchor load
G : Weight

DETAILS / APPLICATIONS



OPTIONAL ACCESSORIES

KDU 57, KHU 57, KDU 40, KHU 40



System E30 - E90. CNBOP-PIB-KOT

