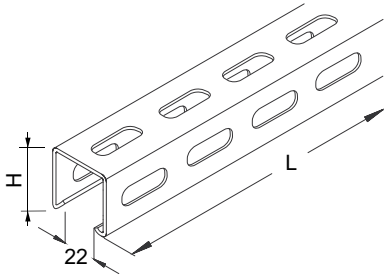


U-13 (U-44)

C-rail, perforated, 44x37 mm

C-rail, as profile 44x37x1,5 mm, continuously perforated, slot size 22.

This article is available made in material No. 1.4571/1.4404 (V4A) stainless steel finish.



Continuously hot galvanized (Sendzimir process) (DIN EN 10346)

Product	L	H	B	t	G
U-13S	3054 mm	44 mm	37 mm	1,50 mm	4,00 kg
U-14S	6114 mm	44 mm	37 mm	1,50 mm	8,00 kg

Hot-dip galvanized, according to BS 729 (DIN EN ISO 1461)

Product	L	H	B	t	G
U-13F	3054 mm	44 mm	37 mm	1,50 mm	4,20 kg
U-14F	6114 mm	44 mm	37 mm	1,50 mm	8,40 kg

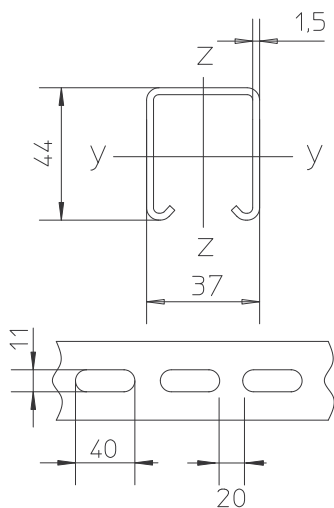
Stainless steel, according to ASTM 316 Ti / AISI 316 L, BS 320S17 / BS 316S11

Product	L	H	B	t	G
U-13E	3054 mm	44 mm	37 mm	1,50 mm	4,00 kg
U-14E	6114 mm	44 mm	37 mm	1,50 mm	8,00 kg

L : Length
H : Height
B : Width
t : Material thickness
G : Weight



DETAILS / APPLICATIONS



OPTIONAL ACCESSORIES

U-51, AM22, AMF22, RUS 41, SKS A



System E 90. CNBOP-PIB-KOT-2017/0013-3703

