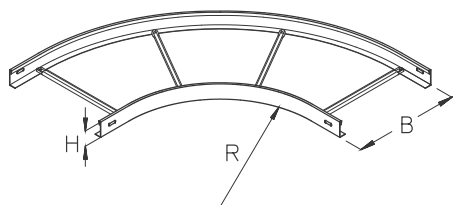


LIB 60

Cable ladder inside bend, height=60 mm



Cable ladder inside bend 90° for horizontal change of direction.
Riveted rungs.

Fittings are also available in an angular shape.

This article is available made in material No. 1.4571/1.4404 (V4A) stainless steel finish.



Continuously hot galvanized (Sendzimir process) (DIN EN 10346)

Product	H	B	R	G
LIB 60-10S	60 mm	100 mm	400 mm	2,28 kg
LIB 60-20S	60 mm	200 mm	400 mm	2,67 kg
LIB 60-30S	60 mm	300 mm	400 mm	3,02 kg
LIB 60-40S	60 mm	400 mm	400 mm	3,55 kg
LIB 60-50S	60 mm	500 mm	400 mm	3,94 kg
LIB 60-60S	60 mm	600 mm	400 mm	4,60 kg

Hot-dip galvanized, according to BS 729 (DIN EN ISO 1461)

Product	H	B	R	G
LIB 60-10F	60 mm	100 mm	400 mm	2,55 kg
LIB 60-20F	60 mm	200 mm	400 mm	2,99 kg
LIB 60-30F	60 mm	300 mm	400 mm	3,38 kg
LIB 60-40F	60 mm	400 mm	400 mm	3,97 kg
LIB 60-50F	60 mm	500 mm	400 mm	4,42 kg
LIB 60-60F	60 mm	600 mm	400 mm	5,15 kg

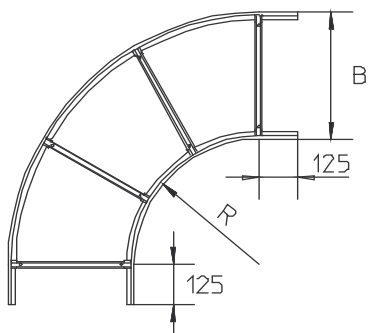


Stainless steel, according to ASTM 304 / BS 304 S 3

Product	H	B	R	G
LIB 60-10E	60 mm	100 mm	400 mm	2,28 kg
LIB 60-20E	60 mm	200 mm	400 mm	2,67 kg
LIB 60-30E	60 mm	300 mm	400 mm	3,02 kg
LIB 60-40E	60 mm	400 mm	400 mm	3,55 kg
LIB 60-50E	60 mm	500 mm	400 mm	3,94 kg
LIB 60-60E	60 mm	600 mm	400 mm	4,60 kg

H : Height
B : Width
R : Radius
G : Weight

DETAILS / APPLICATIONS



OPTIONAL ACCESSORIES

LGV 60, LGVH 60, LGV 60, KLU



Do not walk upon!



System E30 - E90. CNBOP-PIB nr CNBOP-PIB-KOT-2017/0013-3703

Page 2

