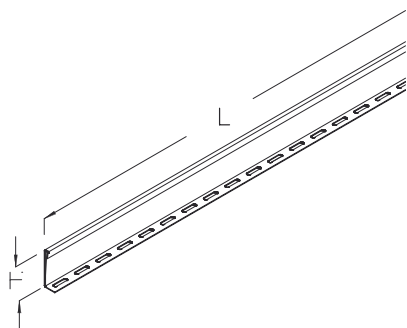


RTR 60

Cable tray barrier strip, height=60 mm

Cable tray separating strip including fastening bolts.

This article is available made in material No. 1.4571/1.4404 (V4A) stainless steel finish.



Continuously hot galvanized (Sendzimir process) (DIN EN 10346)

Product	H	L	G
RTR 60S	50 mm	3000 mm	2,06 kg
Incl.:			
3x KLR		Fixing set	

Hot-dip galvanized, according to BS 729 (DIN EN ISO 1461)

Product	H	L	G
RTR 60F	50 mm	3000 mm	2,31 kg
Incl.:			
3x KLR E		Fixing set	

Stainless steel, according to ASTM 304 / BS 304 S 3

Product	H	L	G
RTR 60E	50 mm	3000 mm	2,06 kg
Incl.:			
3x KLR E		Fixing set	

Stainless steel, according to ASTM 31 Ti / AISI 316 L, BS 320S17 / BS 316S11





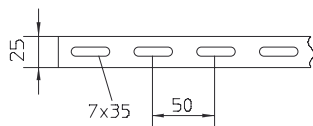
Product	H	L	G
RTR 60E4	50 mm	3000 mm	2,06 kg
Incl.:			
3x KLR E		Fixing set	

H : Height

L : Length

G : Weight

DETAILS / APPLICATIONS



System E30 - E90. CNBOP-PIB nr CNBOP-PIB-KOT-2017/0013-3703

