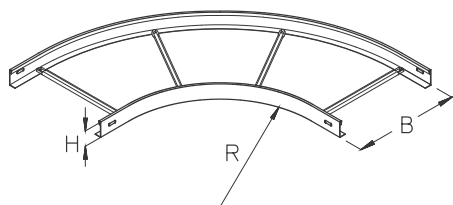


LIB 100

Cable ladder inside bend, height=100 mm



Cable ladder inside bend 90° for horizontal change of direction.

Riveted rungs.

Fittings are also available in an angular shape.

This article is available made in material No. 1.4571/1.4404 (V4A) stainless steel finish.



Continuously hot galvanized (Sendzimir process) (DIN EN 10346)

Product	H	B	R	G
LIB 100-10S	100 mm	100 mm	400 mm	3,05 kg
LIB 100-20S	100 mm	200 mm	400 mm	3,50 kg
LIB 100-30S	100 mm	300 mm	400 mm	3,92 kg
LIB 100-40S	100 mm	400 mm	400 mm	4,51 kg
LIB 100-50S	100 mm	500 mm	400 mm	4,97 kg
LIB 100-60S	100 mm	600 mm	400 mm	5,69 kg

Hot-dip galvanized, according to BS 729 (DIN EN ISO 1461)

Product	H	B	R	G
LIB 100-10F	100 mm	100 mm	400 mm	3,41 kg
LIB 100-20F	100 mm	200 mm	400 mm	3,92 kg
LIB 100-30F	100 mm	300 mm	400 mm	4,39 kg
LIB 100-40F	100 mm	400 mm	400 mm	5,05 kg
LIB 100-50F	100 mm	500 mm	400 mm	5,56 kg
LIB 100-60F	100 mm	600 mm	400 mm	6,37 kg

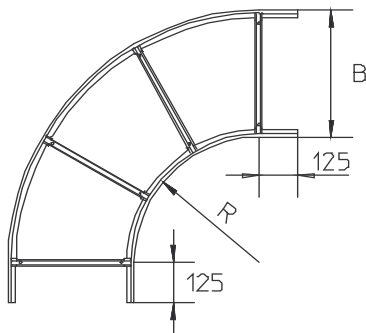


Stainless steel, according to ASTM 304 / BS 304 S 3

Product	H	B	R	G
LIB 100-10E	100 mm	100 mm	400 mm	3,05 kg
LIB 100-20E	100 mm	200 mm	400 mm	3,50 kg
LIB 100-30E	100 mm	300 mm	400 mm	3,92 kg
LIB 100-40E	100 mm	400 mm	400 mm	4,51 kg
LIB 100-50E	100 mm	500 mm	400 mm	4,97 kg
LIB 100-60E	100 mm	600 mm	400 mm	5,69 kg

H : Height
B : Width
R : Radius
G : Weight

DETAILS / APPLICATIONS



OPTIONAL ACCESSORIES

LGV 100, LGVH 100, LGVV 100, KLU

