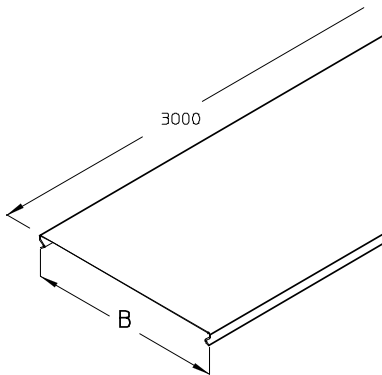


## RDO

Cable tray cover

Cable tray cover, positive locking.

This article is available made in material No. 1.4571/1.4404 (V4A) stainless steel finish.



### Continuously hot galvanized (Sendzimir process) (DIN EN 10346)

Product	B	L	t	G
RDO 05S	50 mm	3000 mm	1,00 mm	1,77 kg
RDO 10S	100 mm	3000 mm	1,00 mm	3,06 kg
RDO 20S	200 mm	3000 mm	1,00 mm	5,42 kg
RDO 30S	300 mm	3000 mm	1,00 mm	7,77 kg
RDO 40S	400 mm	3000 mm	1,00 mm	10,13 kg
RDO 50S	500 mm	3000 mm	1,00 mm	12,48 kg
RDO 60S	600 mm	3000 mm	1,00 mm	14,84 kg

### Hot-dip galvanized, according to BS 729 (DIN EN ISO 1461)

Product	B	L	t	G
RDO 05F	50 mm	3000 mm	1,00 mm	1,96 kg
RDO 10F	100 mm	3000 mm	1,00 mm	3,40 kg
RDO 20F	200 mm	3000 mm	1,00 mm	6,01 kg
RDO 30F	300 mm	3000 mm	1,00 mm	8,63 kg
RDO 40F	400 mm	3000 mm	1,00 mm	11,24 kg
RDO 50F	500 mm	3000 mm	1,00 mm	13,86 kg
RDO 60F	600 mm	3000 mm	1,00 mm	16,47 kg

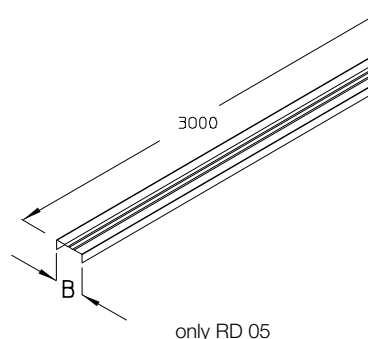
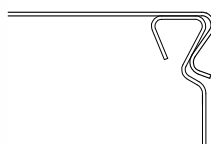
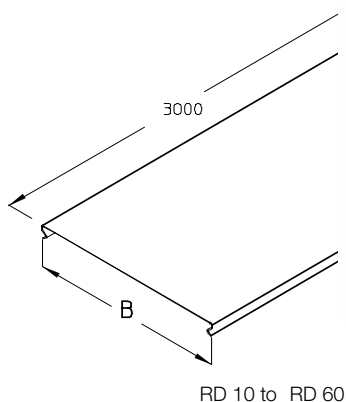


Stainless steel, according to ASTM 304 / BS 304 S 3

Product	B	L	t	G
RDO 05E	50 mm	3000 mm	1,00 mm	1,77 kg
RDO 10E	100 mm	3000 mm	1,00 mm	3,06 kg
RDO 20E	200 mm	3000 mm	1,00 mm	5,42 kg
RDO 30E	300 mm	3000 mm	1,00 mm	7,77 kg
RDO 40E	400 mm	3000 mm	1,00 mm	10,13 kg
RDO 50E	500 mm	3000 mm	1,00 mm	12,48 kg
RDO 60E	600 mm	3000 mm	1,00 mm	14,84 kg

**B** : Width  
**L** : Length  
**G** : Weight

## DETAILS / APPLICATIONS



System E 90. CNBOP-PIB.

