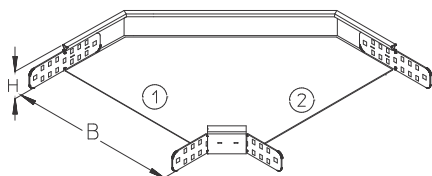


## RB 60

Cable tray bend, height=60 mm

Cable tray bend 90° for horizontal change of direction with integrated connectors.

This article is available made in material No. 1.4571/1.4404 (V4A) stainless steel finish.



Continuously hot galvanized (Sendzimir process) (DIN EN 10346)

Product	H	B	G
RB 60-05S	60 mm	50 mm	0,61 kg
Incl.: 2x KLR		Clamp fastening set	
RB 60-10S	60 mm	100 mm	0,77 kg
Incl.: 2x KLR		Clamp fastening set	
RB 60-20S	60 mm	200 mm	1,18 kg
Incl.: 2x KLR		Clamp fastening set	
RB 60-30S	60 mm	300 mm	1,70 kg
Incl.: 2x KLR		Clamp fastening set	
RB 60-40S	60 mm	400 mm	2,35 kg
Incl.: 2x KLR		Clamp fastening set	
RB 60-50S	60 mm	500 mm	3,13 kg
Incl.: 2x KLR		Clamp fastening set	
RB 60-60S	60 mm	600 mm	4,05 kg
Incl.: 2x KLR		Clamp fastening set	





**Hot-dip galvanized, according to BS 729 (DIN EN ISO 1461)**

Product	H	B	G
RB 60-05F	60 mm	50 mm	0,72 kg
Incl.: 2x KLR E		Clamp fastening set	
RB 60-10F	60 mm	100 mm	0,87 kg
Incl.: 2x KLR E		Clamp fastening set	
RB 60-20F	60 mm	200 mm	1,33 kg
Incl.: 2x KLR E		Clamp fastening set	
RB 60-30F	60 mm	300 mm	1,91 kg
Incl.: 2x KLR E		Clamp fastening set	
RB 60-40F	60 mm	400 mm	2,64 kg
Incl.: 2x KLR E		Clamp fastening set	
RB 60-50F	60 mm	500 mm	3,51 kg
Incl.: 2x KLR E		Clamp fastening set	
RB 60-60F	60 mm	600 mm	4,54 kg
Incl.: 2x KLR E		Clamp fastening set	

**Stainless steel, according to ASTM 304 / BS 304 S 3**

Product	H	B	G
RB 60-05E	60 mm	50 mm	0,64 kg
Incl.: 2x KLR E		Clamp fastening set	
RB 60-10E	60 mm	100 mm	0,77 kg
Incl.: 2x KLR E		Clamp fastening set	
RB 60-20E	60 mm	200 mm	1,18 kg
Incl.: 2x KLR E		Clamp fastening set	





Product	H	B	G
RB 60-30E	60 mm	300 mm	1,70 kg
Incl.: 2x KLR E		Clamp fastening set	
RB 60-40E	60 mm	400 mm	2,35 kg
Incl.: 2x KLR		Clamp fastening set	
RB 60-50E	60 mm	500 mm	3,13 kg
Incl.: 2x KLR E		Clamp fastening set	
RB 60-60E	60 mm	600 mm	4,05 kg
Incl.: 2x KLR E		Clamp fastening set	

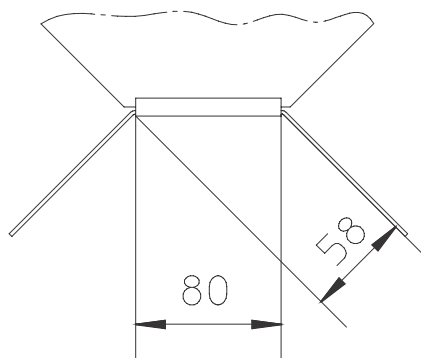
### Coating Magnelis®, according to DIN EN 10346

Product	H	B	G
RB 60-05ZM	60 mm	50 mm	0,61 kg
Incl.: 2x KLR E		Clamp fastening set	
RB 60-10ZM	60 mm	100 mm	0,77 kg
Incl.: 2x KLR E		Clamp fastening set	
RB 60-20ZM	60 mm	200 mm	1,18 kg
Incl.: 2x KLR E		Clamp fastening set	
RB 60-30ZM	60 mm	300 mm	1,70 kg
Incl.: 2x KLR E		Clamp fastening set	
RB 60-40ZM	60 mm	400 mm	2,35 kg
Incl.: 2x KLR E		Clamp fastening set	
RB 60-50ZM	60 mm	500 mm	3,13 kg
Incl.: 2x KLR E		Clamp fastening set	
RB 60-60ZM	60 mm	600 mm	4,05 kg
Incl.: 2x KLR E		Clamp fastening set	



**H** : Height  
**B** : Width  
**G** : Weight

## DETAILS / APPLICATIONS



## OPTIONAL ACCESSORIES

VB

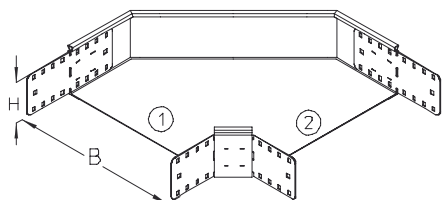


Certyfikat UL



## RB 85

Cable tray bend, height=85 mm



Cable tray bend 90° for horizontal change of direction with integrated connectors.

This article is available made in material No. 1.4571/1.4404 (V4A) stainless steel finish.



Continuously hot galvanized (Sendzimir process) (DIN EN 10346)

Product	H	B	G
RB 85-10S	85 mm	100 mm	1,04 kg
Incl.: 4x KLR		Clamp fastening set	
RB 85-20S	85 mm	200 mm	1,50 kg
Incl.: 4x KLR		Clamp fastening set	
RB 85-30S	85 mm	300 mm	2,05 kg
Incl.: 4x KLR		Clamp fastening set	
RB 85-40S	85 mm	400 mm	2,75 kg
Incl.: 4x KLR		Clamp fastening set	
RB 85-50S	85 mm	500 mm	33,56 kg
Incl.: 4x KLR		Clamp fastening set	
RB 85-60S	85 mm	600 mm	4,52 kg
Incl.: 4x KLR		Clamp fastening set	

Hot-dip galvanized, according to BS 729 (DIN EN ISO 1461)

