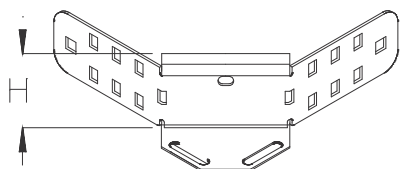


## RAE 60

Cable tray attachment corner, height=60 mm

Cable tray attachment corner.

This article is available made in material No. 1.4571/1.4404 (V4A) stainless steel finish.



### Continuously hot galvanized (Sendzimir process) (DIN EN 10346)

Product	H	G
RAE 60S	60 mm	0,30 kg
-----		
Incl.: 3x KLR	Clamp fastening set	

### Hot-dip galvanized, according to BS 729 (DIN EN ISO 1461)

Product	H	G
RAE 60F	60 mm	0,30 kg
-----		
Incl.: 3x KLR E	Clamp fastening set	

### Stainless steel, according to ASTM 304 / BS 304 S 3

Product	H	G
RAE 60E	60 mm	0,30 kg
-----		
Incl.: 3x KLR E	Clamp fastening set	

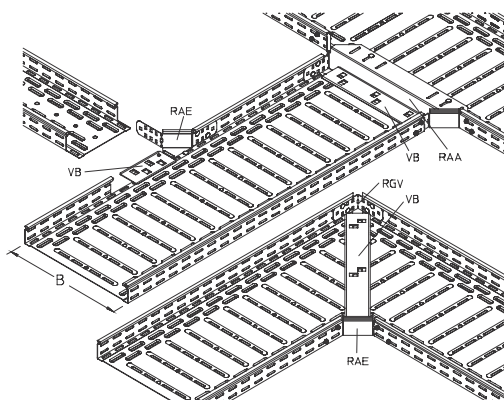
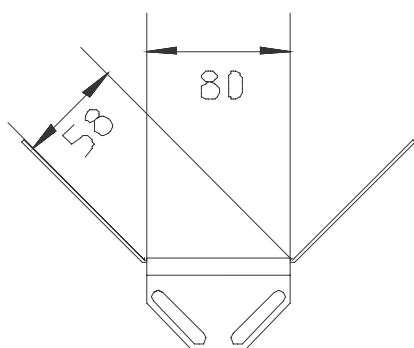


Powłoka Magnelis<sup>®</sup>, zgodnie z DIN EN 10346

Product	H	G
RAE 60ZM	60 mm	0,30 kg
Incl.:		
3x KLR E	Clamp fastening set	

**H** : Height  
**G** : Weight

## DETAILS / APPLICATIONS



## OPTIONAL ACCESSORIES

VB

